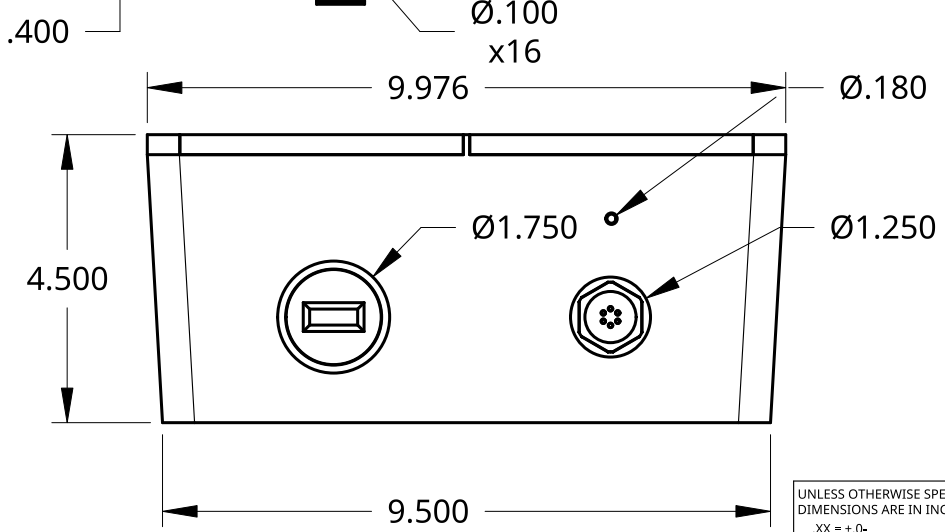


USB & Solar Bulkhead Mounts



Item	Quantity	Description
1	1	Enclosure
2	1	Optics Door
3	1	EE Door
4	1	Lens Cap
5	1	vent
6	8	Screw

UNLESS OTHERWISE SPECIFIED, DIMENSIONS ARE IN INCHES .XX = ±.0- .XXX = ±.00- .XXXX = ±.000-		NAME	DATE	TITLE <b>Full Assembly</b>		
SURFACE FINISH <input checked="" type="checkbox"/>		DRAWN	TYLER			04/14/2024
DO NOT SCALE DRAWING		CHECKED				
BREAK ALL SHARP EDGES AND REMOVE BURRS		APPROVED				
THIRD ANGLE PROJECTION		MATERIAL	FINISH	SIZE <b>A</b>	DWG NO.	
				SCALE 1:3	WEIGHT 2.2 lbs	
				SHEET	1 of 1	

2

1

B

B

A

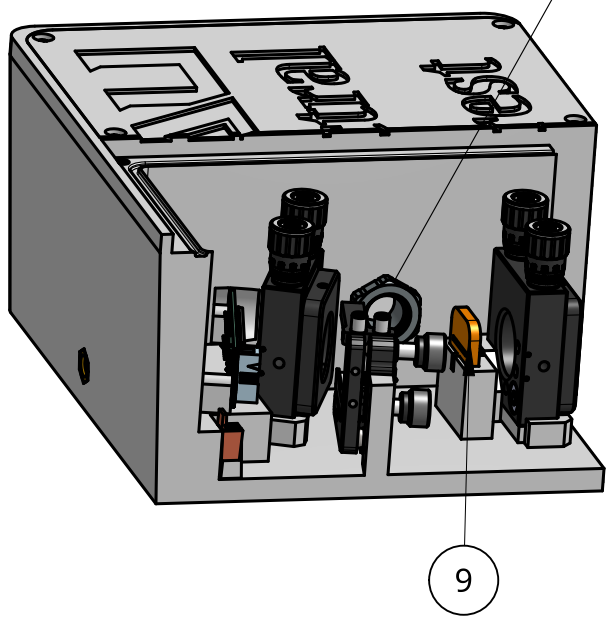
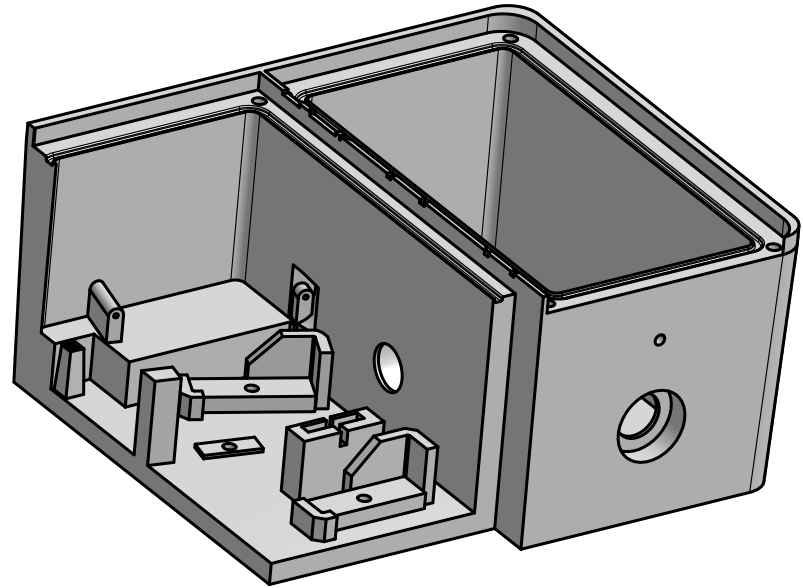
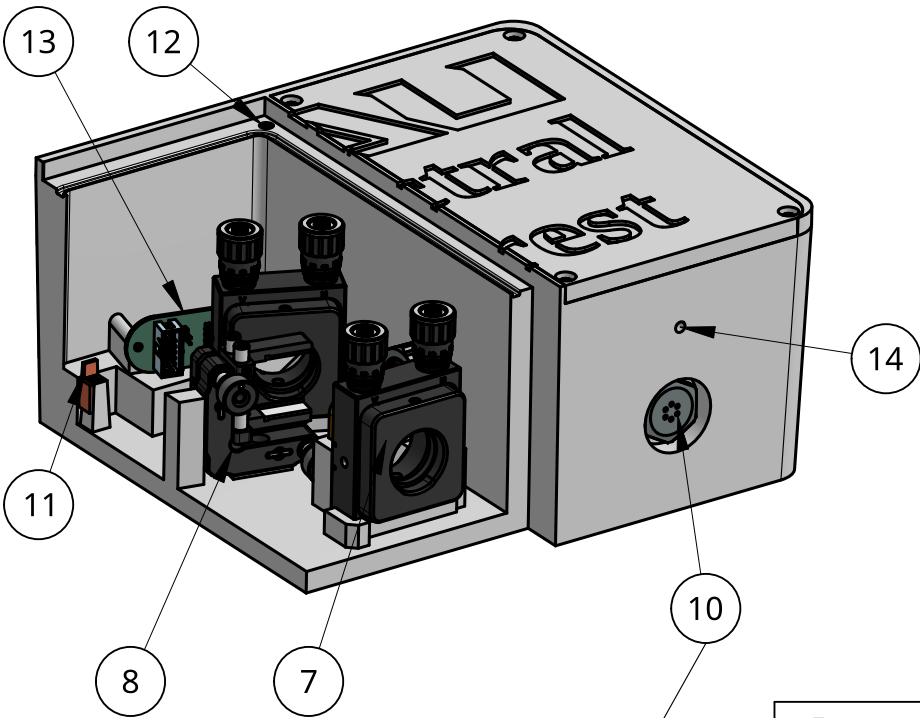
A

2

1

2

1



Item	Quantity	Description	Item	Quantity	Description
7	2	Round Mount	13	1	Optical PCB
8	1	Rectangular Mount	14	1	Photo sensor
9	1	Slit			
10	2	Vent			
11	1	Silica cap			
12	8	Heat Set Inserts			

UNLESS OTHERWISE SPECIFIED, DIMENSIONS ARE IN INCHES .XX = ±.0- .XXX = ±.00- .XXXX = ±.000- SURFACE FINISH <input checked="" type="checkbox"/> DO NOT SCALE DRAWING BREAK ALL SHARP EDGES AND REMOVE BURRS THIRD ANGLE PROJECTION		NAME TORREY KING	DATE 04/14/2024	TITLE <b>Optical Layout</b>	
DRAWN		CHECKED		APPROVED	
MATERIAL		FINISH		SIZE <b>A</b>	DWG NO.
SCALE 1:3		WEIGHT		SHEET 1 of 1	REV.

2

1

B

B

A

A

2

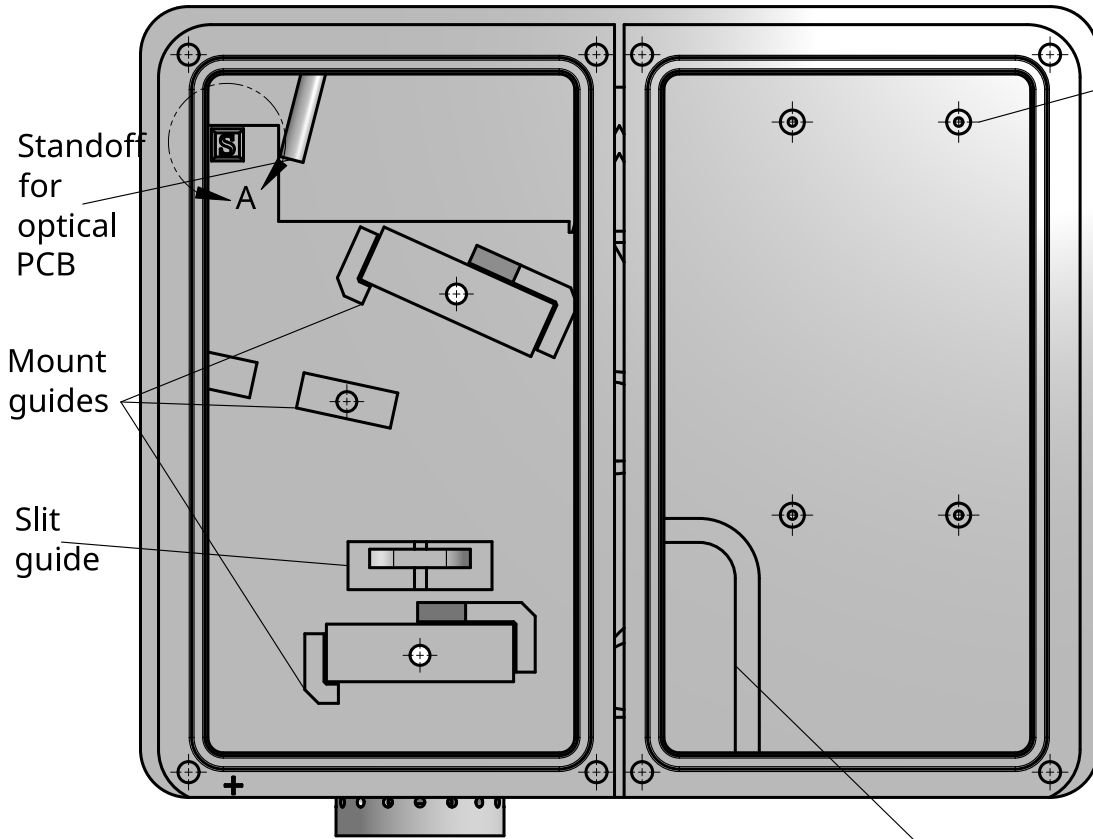
1

B

B

A

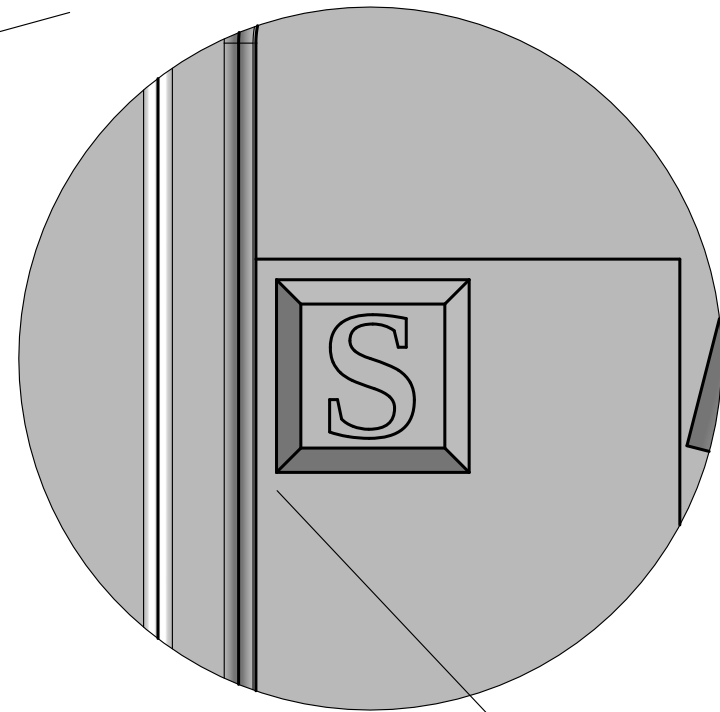
A



SCALE 1:2

To hold battery

PCB Standoffs



DETAIL A  
SCALE 3:1

For silica pouch to be constrained to the corner

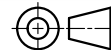
UNLESS OTHERWISE SPECIFIED,  
DIMENSIONS ARE IN INCHES  
.XX = ±.0-  
.XXX = ±.00-  
.XXXX = ±.000-  
ANGULAR = ± °  
FRACTIONAL = ±

SURFACE FINISH

DO NOT SCALE DRAWING

BREAK ALL SHARP EDGES AND REMOVE BURRS

THIRD ANGLE PROJECTION

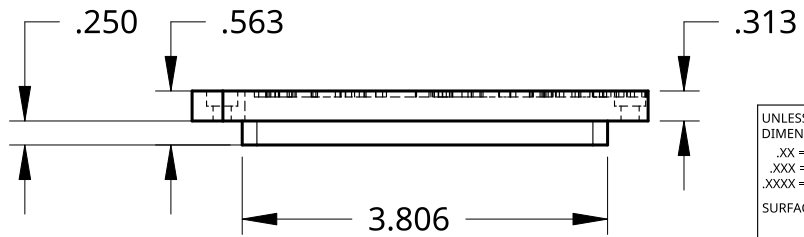
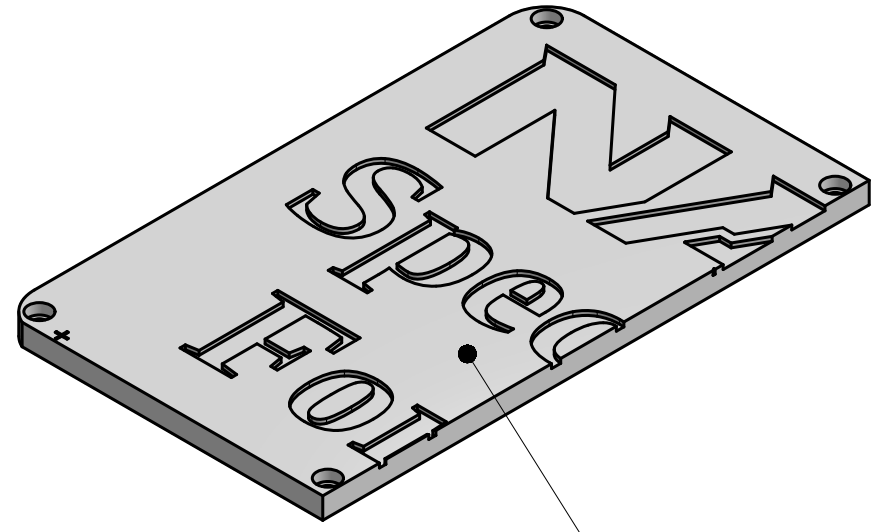
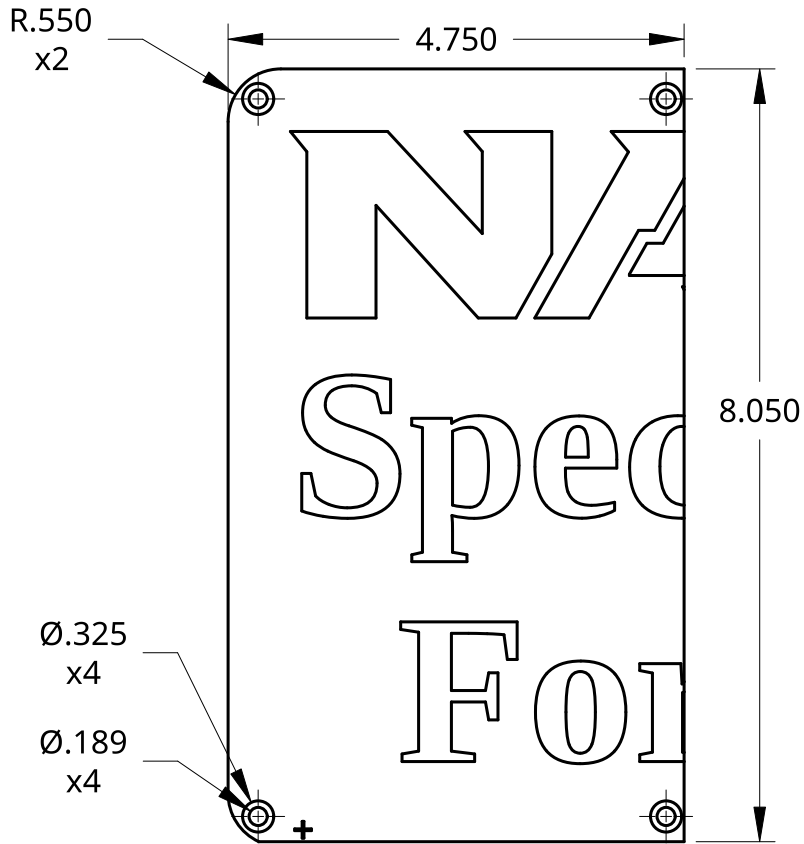


	NAME	DATE
DRAWN	TYLER	04/14/2024
CHECKED		
APPROVED		
MATERIAL	FINISH	

TITLE		
Aux. View of Silica Holder		
SIZE <b>A</b>	DWG NO.	REV.
SCALE 1:3	WEIGHT	SHEET 1 of 1

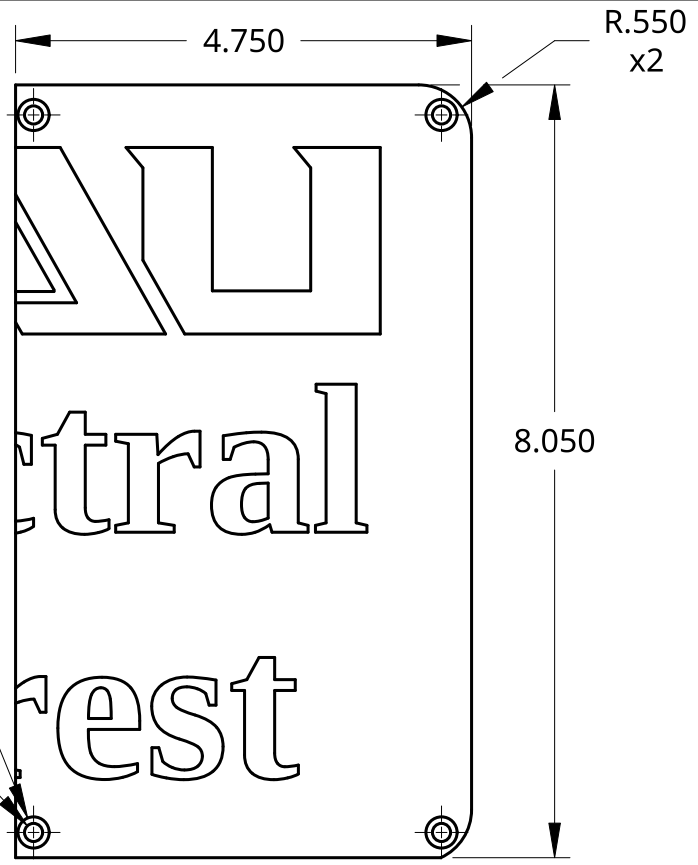
2

1

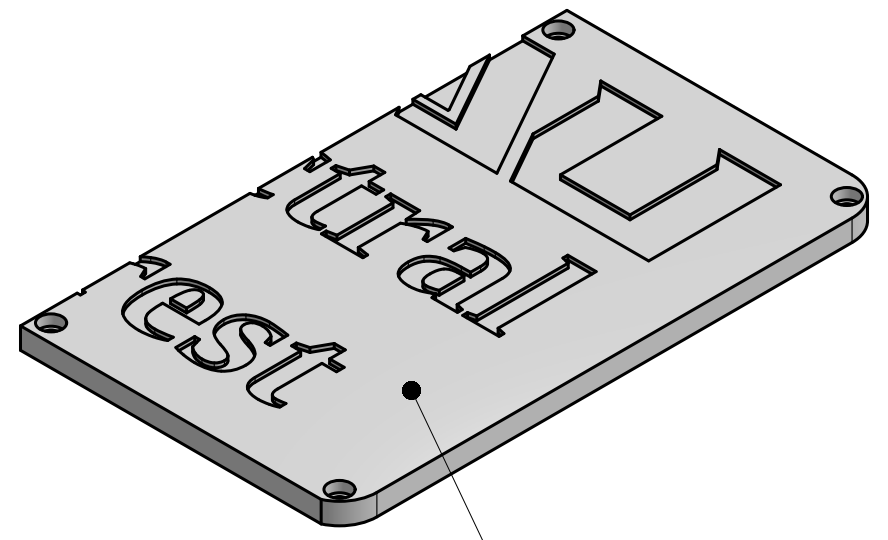


UNLESS OTHERWISE SPECIFIED, DIMENSIONS ARE IN INCHES .XX = ±.0- .XXX = ±.00- .XXXX = ±.000-		NAME	DATE		
ANGULAR = ± ° FRACTIONAL = ±		DRAWN	TYLER	04/14/2024	
SURFACE FINISH		CHECKED			TITLE
DO NOT SCALE DRAWING		APPROVED			Optics Door
BREAK ALL SHARP EDGES AND REMOVE BURRS					
THIRD ANGLE PROJECTION		MATERIAL	FINISH	SIZE	DWG NO.
				A	
				SCALE	1:2
				WEIGHT	
				SHEET	1 of 1
				REV.	

B

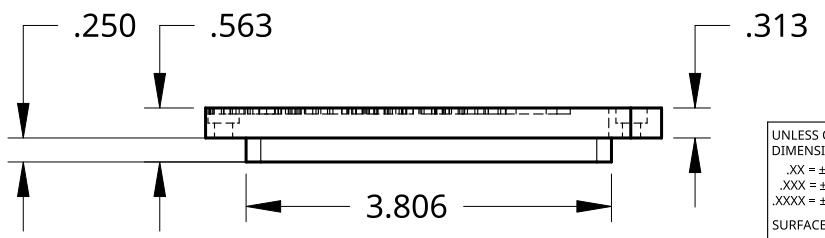


1



B

A



A

UNLESS OTHERWISE SPECIFIED,  
DIMENSIONS ARE IN INCHES

.XX = ±.0-  
.XXX = ±.00-  
.XXXX = ±.000-

ANGULAR = ± °  
FRACTIONAL = ±

SURFACE FINISH

DO NOT SCALE DRAWING

BREAK ALL SHARP EDGES AND  
REMOVE BURRS

THIRD ANGLE PROJECTION

	NAME	DATE
DRAWN	TYLER	04/14/2024
CHECKED		
APPROVED		
MATERIAL	FINISH	

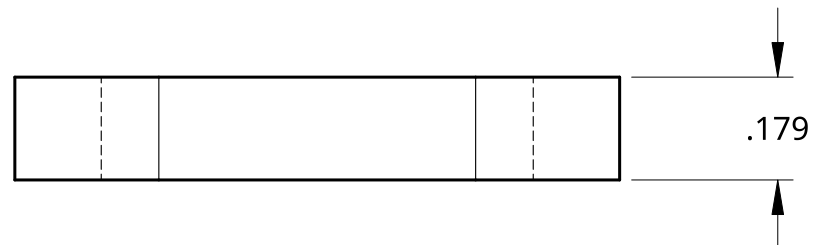
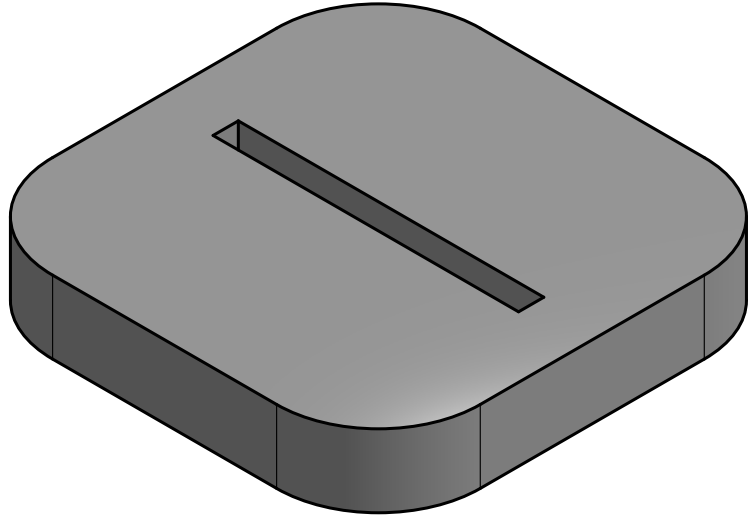
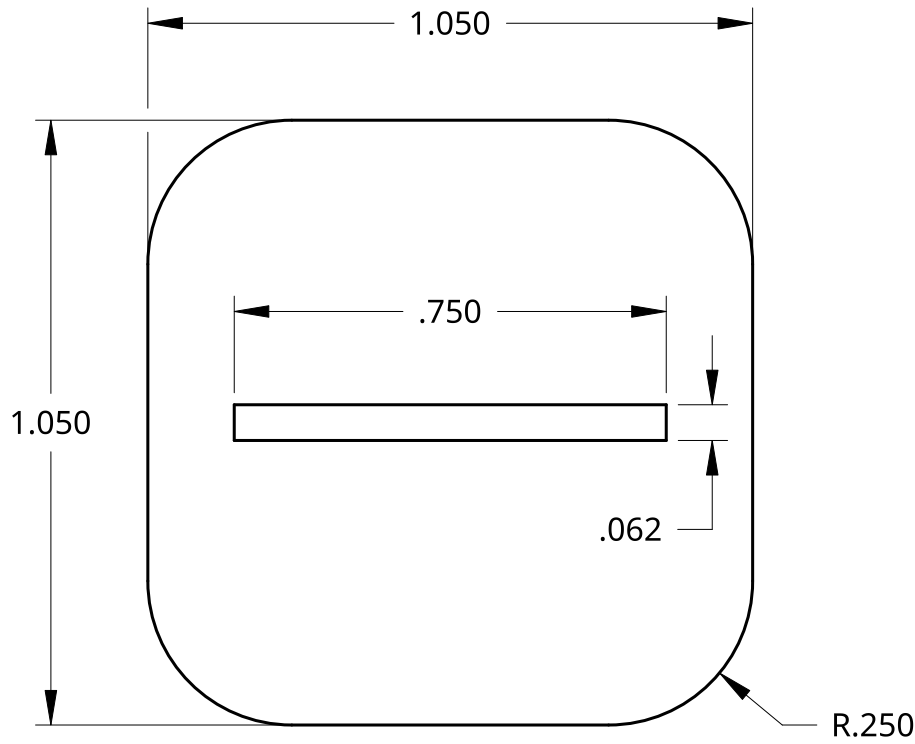
TITLE		
Electronics Door		
SIZE	DWG NO.	REV.
A		
SCALE	WEIGHT	SHEET
1:2		1 of 1

2

1

2

1



UNLESS OTHERWISE SPECIFIED, DIMENSIONS ARE IN INCHES .XX = ±.0- .XXX = ±.00- .XXXX = ±.000- SURFACE FINISH		NAME	DATE		
ANGULAR = ± ° FRACTIONAL = ±		DRAWN	TYLER	04/14/2024	
DO NOT SCALE DRAWING		CHECKED			TITLE
BREAK ALL SHARP EDGES AND REMOVE BURRS		APPROVED			Slit
THIRD ANGLE PROJECTION		MATERIAL	FINISH		SIZE <b>A</b>
					DWG NO.
					REV.
					SCALE 3:1
					WEIGHT
					SHEET 1 of 1

2

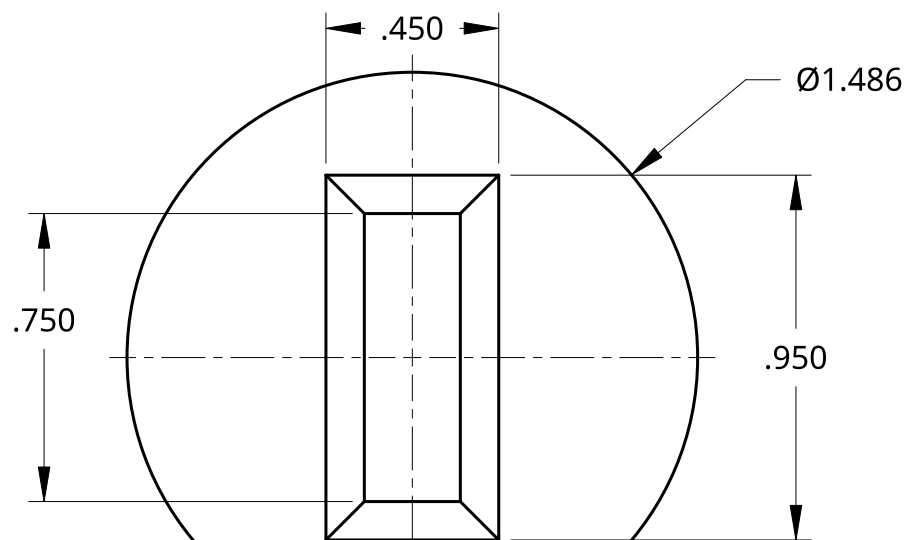
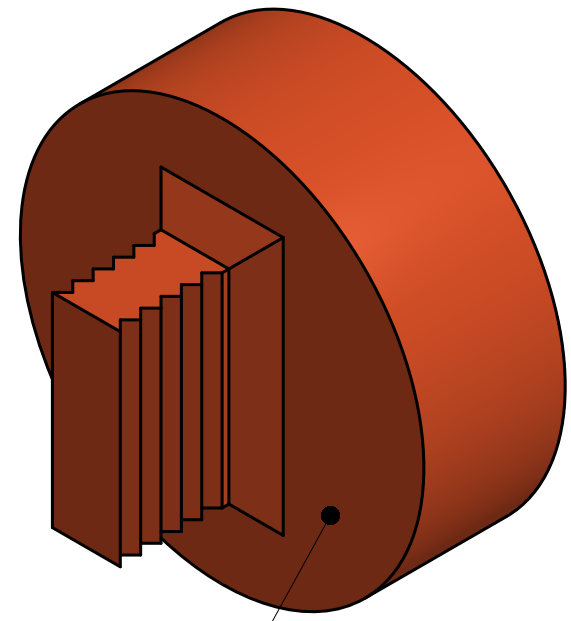
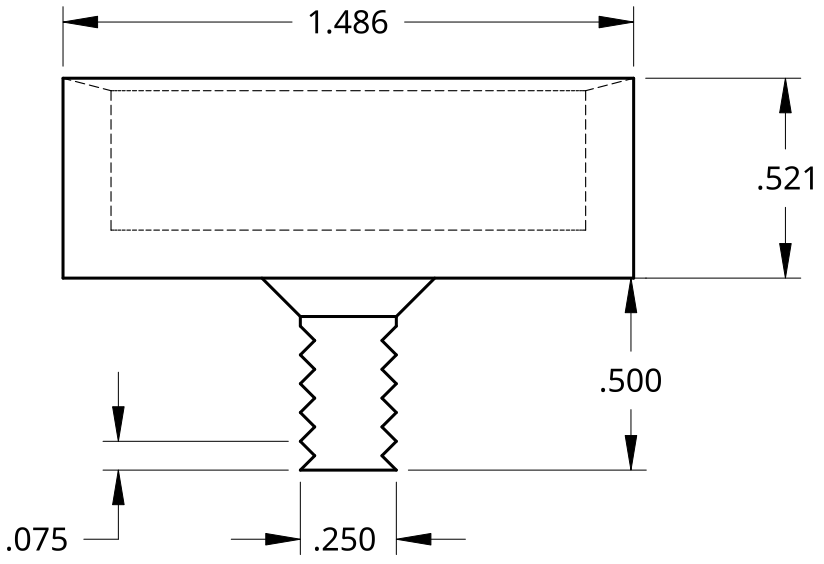
1

B

B

A

A



UNLESS OTHERWISE SPECIFIED, DIMENSIONS ARE IN INCHES .XX = ±.0- .XXX = ±.00- .XXXX = ±.000- SURFACE FINISH <input checked="" type="checkbox"/>		DRAWN	NAME	DATE	TITLE  <b>Lens Cap</b>	
ANGULAR = ± ° FRACTIONAL = ±		TYLER		04/14/2024		
DO NOT SCALE DRAWING		CHECKED				
BREAK ALL SHARP EDGES AND REMOVE BURRS		APPROVED				
THIRD ANGLE PROJECTION		MATERIAL	FINISH		SIZE <b>A</b>	DWG. NO.
					SCALE 2:1	WEIGHT
					SHEET	1 of 1

B

B

A

A

2

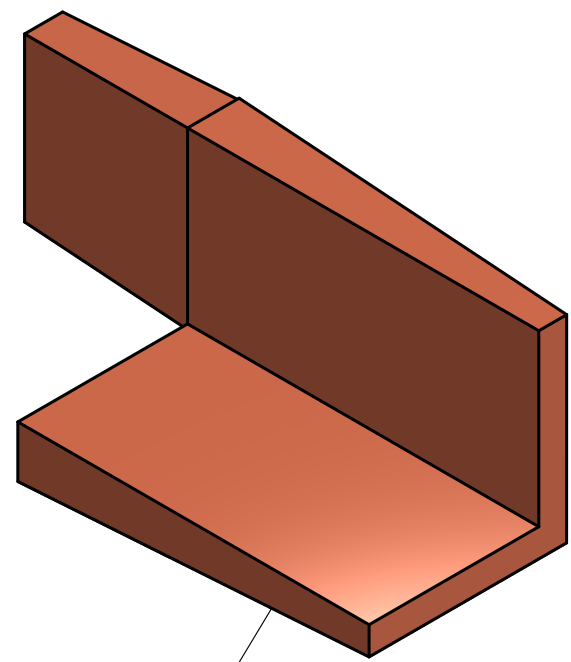
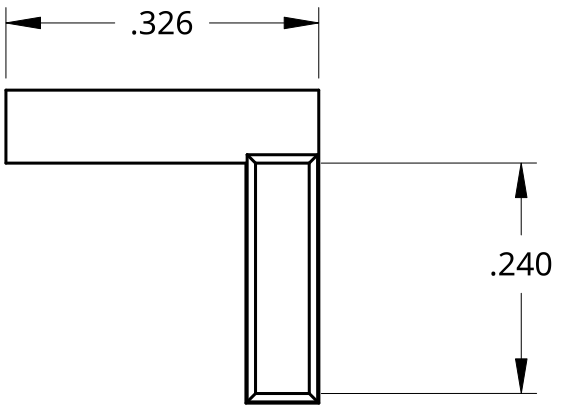
1

2

1

2

1



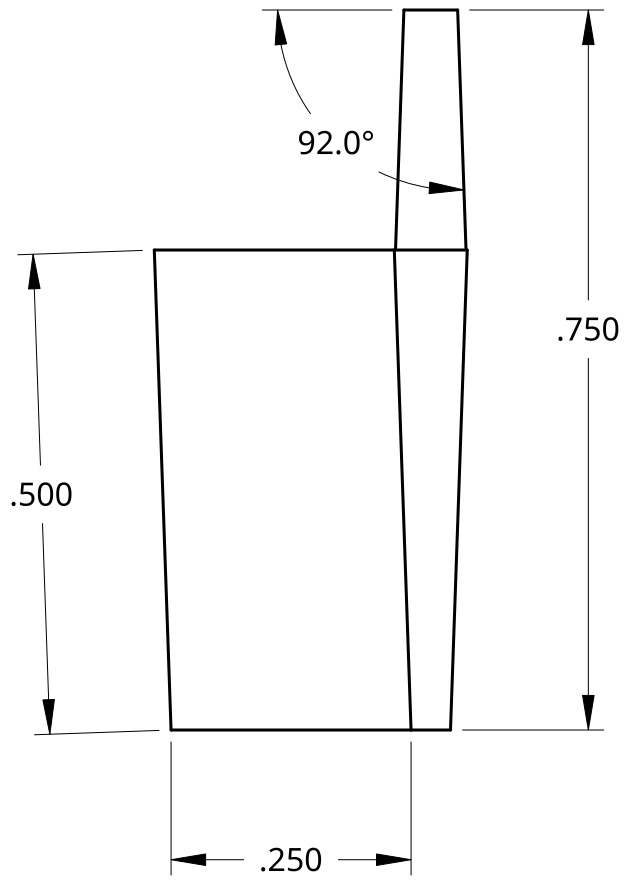
TPU

B

B

A

A



UNLESS OTHERWISE SPECIFIED, DIMENSIONS ARE IN INCHES .XX = ±.0- .XXX = ±.00- .XXXX = ±.000-		NAME	DATE		
SURFACE FINISH		DRAWN	TYLER	04/14/2024	TITLE
DO NOT SCALE DRAWING		CHECKED			Silica Cap
BREAK ALL SHARP EDGES AND REMOVE BURRS		APPROVED			
THIRD ANGLE PROJECTION		MATERIAL	FINISH		SIZE
					A
					DWG NO.
					REV.
					SCALE
					5:1
					WEIGHT
					SHEET
					1 of 1

2

1